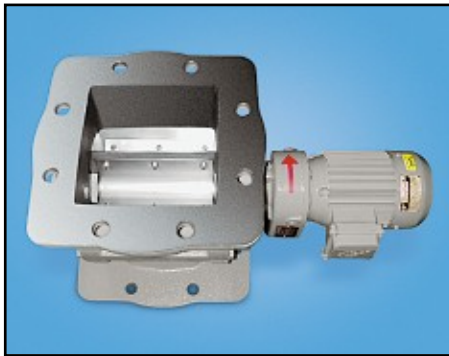
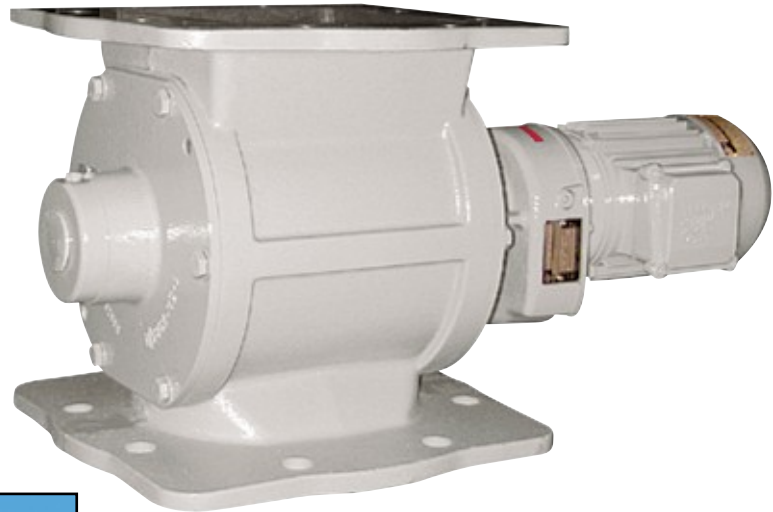


- Minimum air leakage
- Polyurethane rotor blades
- Suitable for both round and square counter flanges
- Ex stock delivery
- Versions conforming to ATEX 94/9/EC available
- Versions conforming to ATEX 94/9/EC available, specifications up to Group II Category ID



DL

The DMN-WESTINGHOUSE DL (**D**ust **L**ock) is of a dedicated design for filter applications. The universal flanges on both sides of the valve are drilled to PN 10 and suitable for both round and square counter flanges.

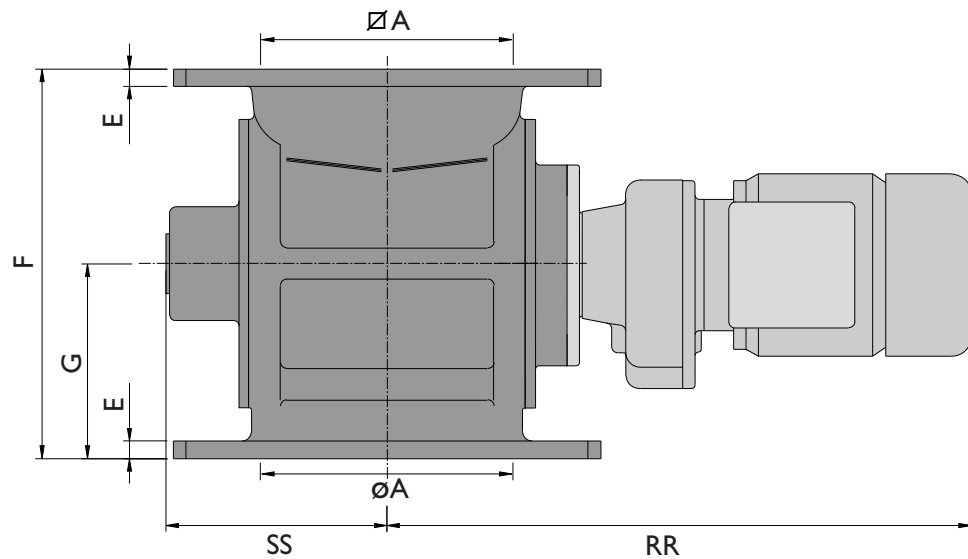
The inlet of the valve is square, therefore accommodating both round and square outlets from the vessel that has to be discharged. The angle of the inlet down to the rotor has been kept as steep as possible, to reduce the chance of bridging. The outlet from the valve is round, so that you can discharge into either a round or square connection.

Product information

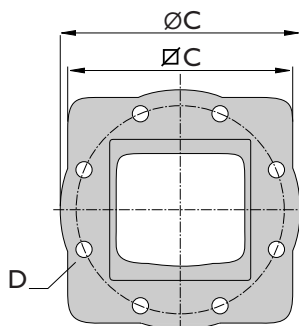
The DL valve has a very large inlet and a direct drive, providing ample torque to drive the rotor, which has 6 replaceable and adjustable polyurethane blades. An optional steel fixed bladed rotor is also available.

The standard drive is a Nord helical geared motor, type SK01-F-71L/4, 0.37 kW, IP 55, isol. F, giving 27 rpm at 50 Hz and 32.4 rpm at 60 Hz. Suitable for 230/400V 50 Hz and 278/480V 60 Hz.

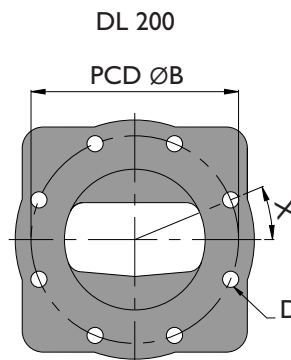
The standard model is suitable for handling products up to a temperature of 70 °C and a maximum pressure differential of 0.5 bar. The valve is pressure shock resistant up to 10 bar g pressure.



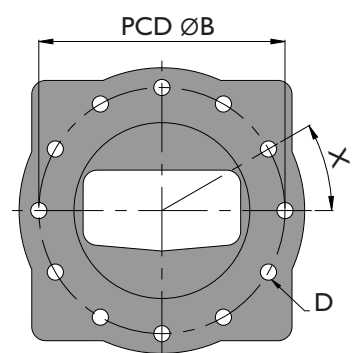
Inlet



Outlet



DL 250



DMN-WESTINGHOUSE have been designing and manufacturing rotary valves, diverter valves and other related components for the bulk solids handling industry for more than 30 years. Offering tailor made solutions for chemical, food, plastics and pharmaceutical industries, DMN-WESTINGHOUSE products are distributed worldwide.

Besides an extensive range of standard components, we supply USDA accredited sanitary versions and ATEX approved explosion-proof models.

An extensive network of subsidiaries, distributors and representatives ensures a high level of service and support all over the world.

Type DL	Ltr/rev	ØA	ØA	ØB	ØC	ØC	D	E	F	G	X	RR	SS
200	6	200	200	295	340	320	8xØ23	14	310	155	22,5°	465	176
250	8.5	250	250	350	406	370	12xØ23	15	325	162.5	30°	485	196

Head Office:
DMN Machinefabriek Noordwykerhout BV
 PO Box 6, NL - 2210 AA Noordwykerhout, Holland
 Tel. +31 252 361 800
 Fax +31 252 375 972/934
 dmn@dmn-nwh.nl

DMN Incorporated
 3895 South Perkins Road, Suite 8
 Memphis, TN 38118, USA
 Tel. +1 901 360 1537
 Fax +1 901 360 0348
 dmnfo@dmn-inc.com

DMN Schüttguttechnik GmbH
 Rütgersstrasse 8
 D-21244 Buchholz i.d. Ndh, Germany
 Tel. +49 4181 931 40
 Fax +49 4181 931 490
 dmn@dmn-schuettguttechnik.de

DMN UK Ltd
 Unit 1&2, Harris Road,
 Porte Marsh Industrial Estate
 Calne, Wiltshire, SN 11 9PT, UK
 Tel. +44 1249 818 400
 Fax +44 1249 818 410
 dmn@dmnuk.com

DMN France SAS
 65, rue Charles de Gaulle
 91330 Yerres, France
 Tel: +33 1 69 49 85 70
 Fax: +33 1 69 49 85 79
 dmnfrance@wanadoo.fr